

GBU1006E50

23-NOV-2020

Features

°C

Applications

PINNING

PIN	DESCRIPTION
1	Input Pin (~)
2	Input Pin (~)
3	Output Anode (+)
4	Output Cathode (-)

		10.0	
		200	
8.3			
5		1.25	
Junction to ambient without heatsink Junction to case, with heatsink			
		50	°C

GBU1006E50

23-NOV-2020

RATINGS AND CHARACTERISTICS CURVES

Fig.1: Current Derating Curve

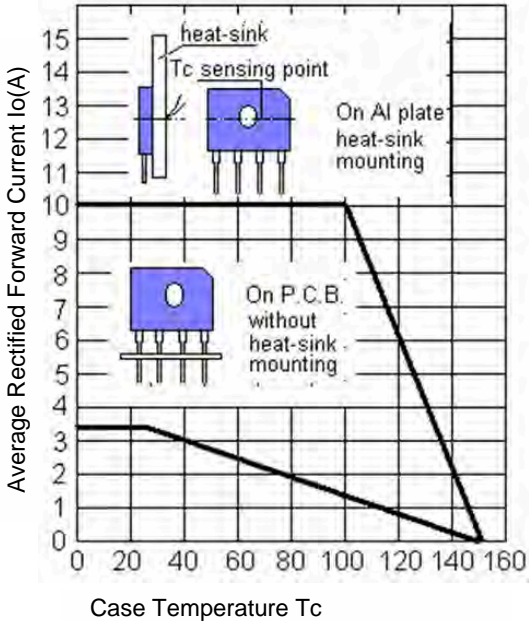


Fig.3: Max. Surge Current

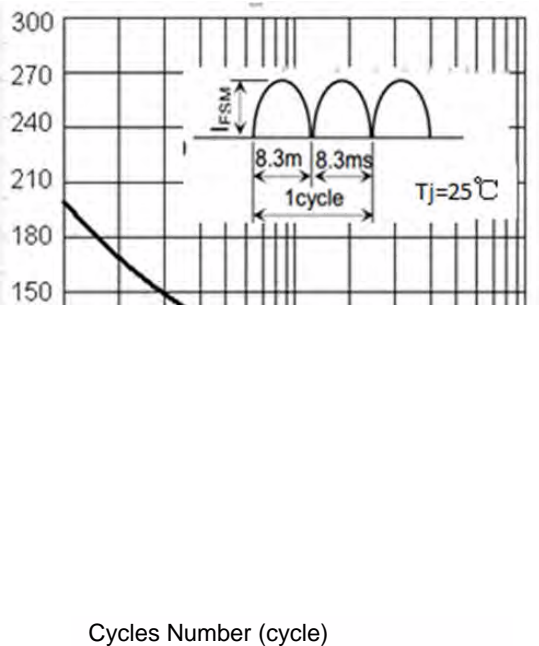


Fig.2 Typical Reverse Characteristics

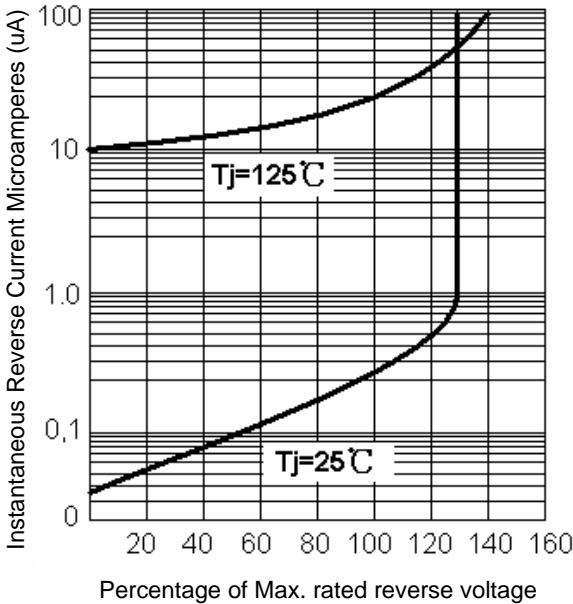


Fig.4: Rated Forward Features

Forward Current I_F A

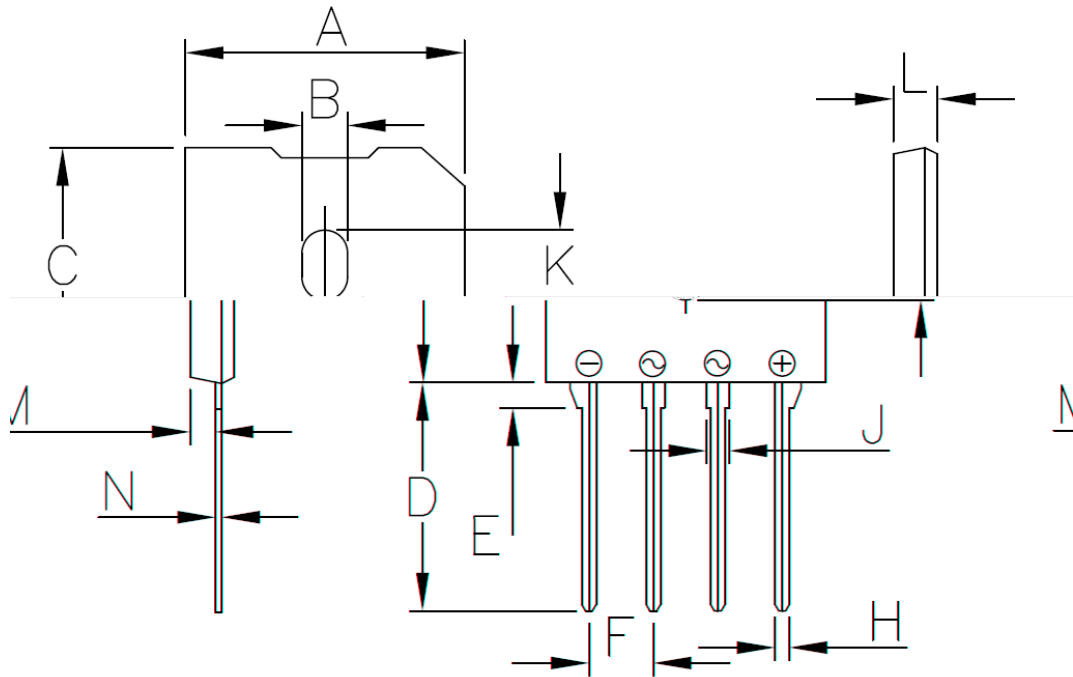
Forward Voltage V_F V



GBU1006E50

23-NOV-2020

PACKAGE OUTLINE DIMENSIONS



			4.1			1	5.43	1.15	2.24	5.6	3.6		6
			5				4.73	0.85	64	5.1	2	8	4
			7			09	22	045	9	22	5		
							18	033	6	20	2	7	15

Marking Information

W : Company's trademark
GB

