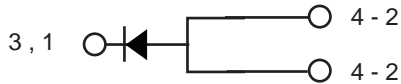
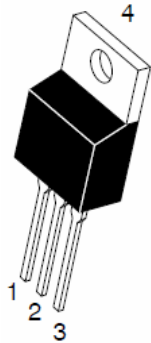
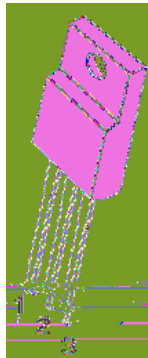


7UHQFK 026 %DUULHU 6FKRWWN\ 5H

TO-220AB  
TSR / CT 6



ITO-220AB  
TSR / CTF 6



### Features

- ‡ \$GYD QWUHGQFK WHFKQRORJ\
- ‡ /RZRUZ YRQWDJH GURS
- ‡ /RZRZURVVHV
- ‡ +LJKILFLHQF\ RSHUDWLRO
- ‡ /HDGHJLQLVK SRP6OLDQW

### Applications

- ‡ '&' & RQYHUWHUV
- ‡ \$&' & GDSWRUV
- ‡ 6ZLWFKRZHXSSOLHV
- ‡ )UHHZKHHLRGQJ

Maximum ratings and electrical characteristics (T<sub>J</sub> = 25°C unless otherwise noted)

3DUDPHWHU	6\PERO	/LPLW	8QLW
0D[LPXP LPHSHVSHVUNYHYURQHW DJH	9550		9
0D[LPXPYHUDRJRZDUG UFKJWHLDWGCHYLFH ,) \$9			\$
3HDNIRVZDUEBUHQW VLDKDDHQH ZDYH VXSHULPSRVHGRFSGUJDRVGHG	,)60	5	\$
2SHUDMXQDQVQWRUDJH WHPSHUDW XUH UDUJH WR			f&
7\SLFVXCHUPDO USHVULVQHDQFH	72 \$% ,72 \$%		f& : f& :
,QVWDQWDQHRXUWRUJZDUG SHGLRGH	9)	7 < 3	0\$;
			9
,QVWDQWDQHRXU SHOHVUJH UDWHYHYURQHW DJH	,5		X\$
			P\$

1RWHV

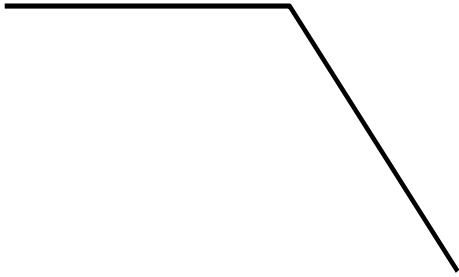
3XOVH WHVVSXOVH ZLGWK GXW\ F\FOH

3XOVH WHVW 3XOPVH ZLGWK 0

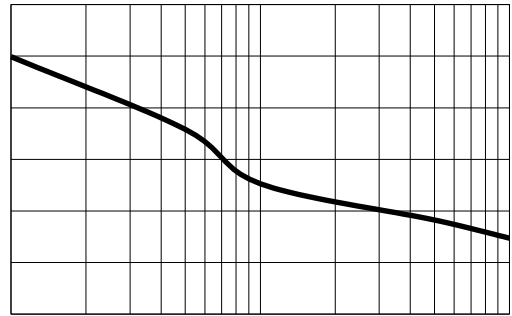
RATINGS AND CHARACTERISTICS CURVES

7\$

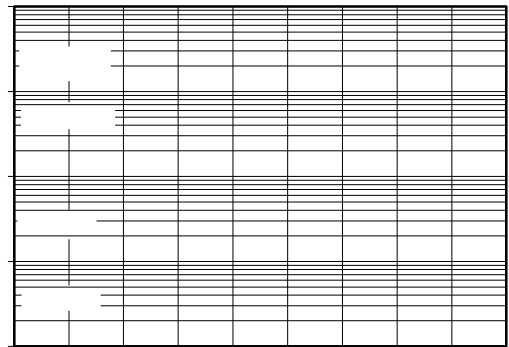
f & X Q O H V Q R W K B U Z L V H



Current Derating, Case



Maximum Repetitive Surge Current



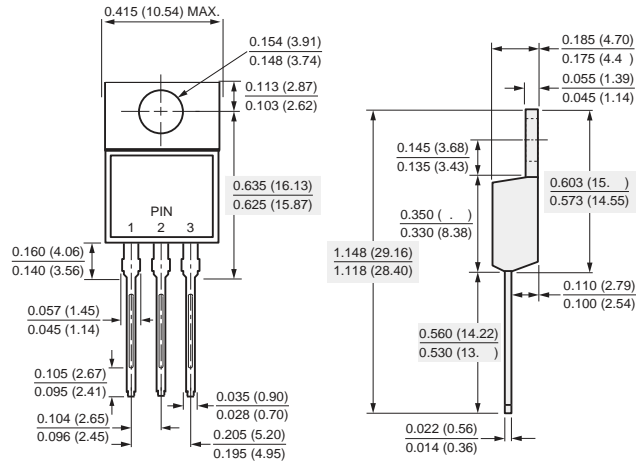
Typical Reverse Current

Typical Junction Capacitance

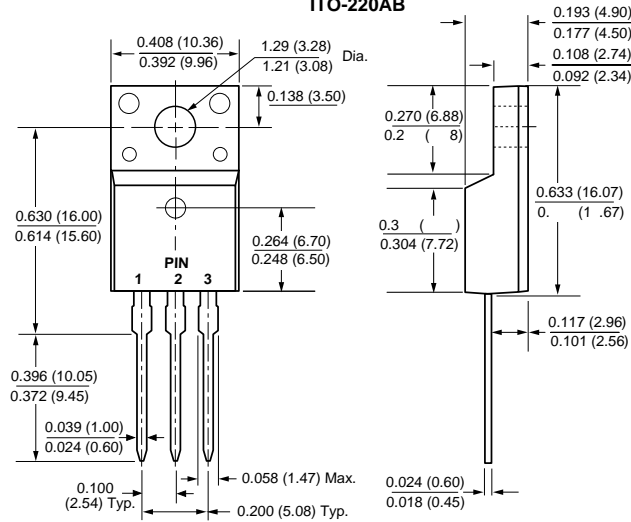
PACKAGE OUTLINE DIMENSIONS

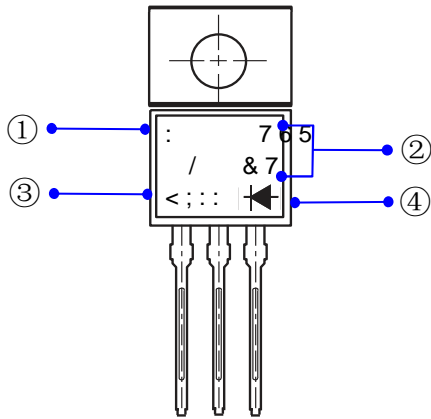
1 R W H X Q L W , Q P P

TO-220AB

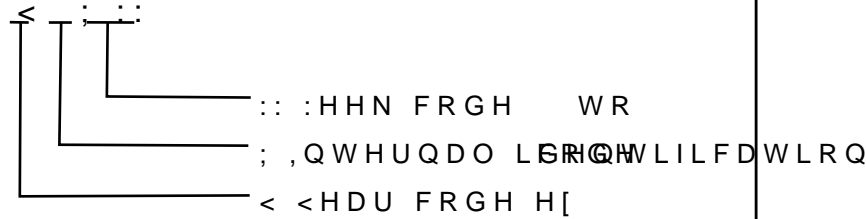


ITO-220AB



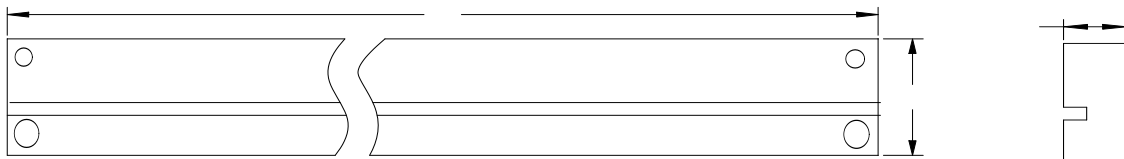


- ①
- ② 3URGXFW 765GHO & 7RU 765 / & 7)
- ③ 3' & LQIRUPDWLRQ



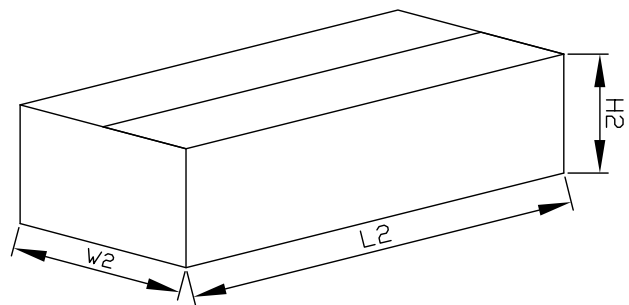
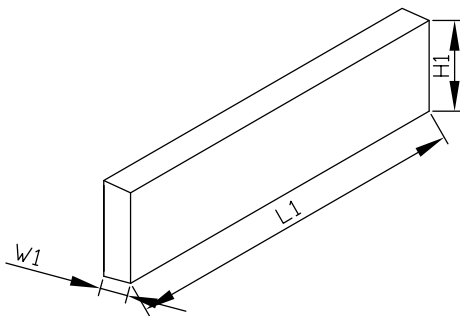
- ④ 6LQJZDIHU

7XEH 'LPHQVLRQV



,QVLGH %R[

2XWVLGH %R[



12	81,	7XEH 'LPHQVLRQV			,QVLGH %R[			2XWVLGH %R[		
		\$	%	&	/	:	+	/	:	+
6L]H	PP									
47<	3&6	3&6 7XEH			6PDO SHFWDJH3&6 WXEWRWDO			3&6 FDUERQWRWDO		
1RW	H	7ROHUDQFH PP" PP			PP" PP			PP" PP		