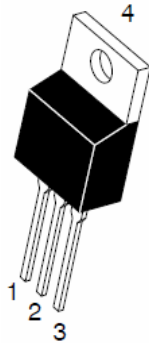
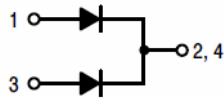


7 UHQFK 026 %DUULHU 6FKRWWN\ 5H

TO-220AB  
TSR20L OCT



ITO-220AB  
TSR20L OCTF



### Features

- ‡ \$GYDQWUHQFK WHFKQRORJ\
- ‡ /RZRZDWRGWDJH GURS
- ‡ /RZRZDWRVHV
- ‡ +LJKILFLHQF\ RSHUDWLRO
- ‡ /HDGH)HLQLVK &R#6OLDQW

### Applications

- ‡ '&' & RQYHUWHUV
- ‡ \$&'&GDSWRUV
- ‡ 6ZLWFKRZDSSOLHV
- ‡ )UHHZKH'HLRQJ

Maximum ratings and electrical characteristics (T<sub>J</sub> = 25°C unless otherwise noted)

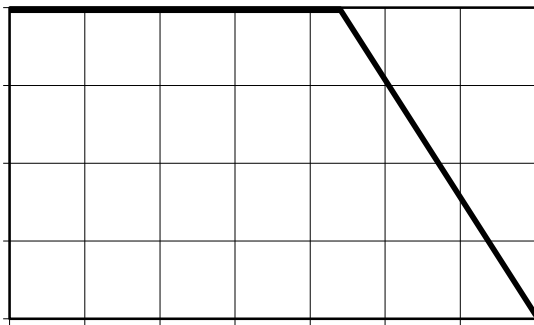
3DUDPHWHU		6\PERO	/LPLW	8QLW
0D[LPXPHSHVSHUNYHYURQHW DJH		9550		9
0D[LPXPHYHURJHZDUG UFKUWHIHWG	GHYLFH SHGLRGH	,) \$9		\$
3HDN IRVZDUEBUHQW VLQDQH ZDYH VXSHULPSRVHGRFSGUDRCHG		,)60		\$
2SHUDMXQDQGRQWRUDJH WHPSHUDW	XUH 0DQJH	WR		f&
7\SLFVCHUPDO USHVULVQHDQFH	72 \$% ,72 \$%	5\$-&		f& : f& :
,QVWDQWDQHRXUWWRUJZDUG SHGLRGH		9)	7<3	0\$;
	,) 3\$		7-	f&
	,) 3\$		7-	f&
	,) \$		7-	f&
,QVWDQWDQHRXUWWRUJZDUG UDWHYHYURQHW DJH		,5		X\$
			7-	f&

1RWHV

3XOVH WHVWSXOVH ZLGWK GXW\FFOH

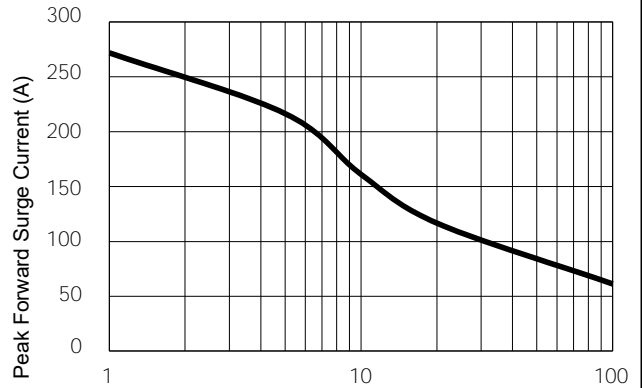
3XOVH WHVW 3XOVH ZLGWK 0 PV

## RATINGS AND CHARACTERISTICS CURVES (

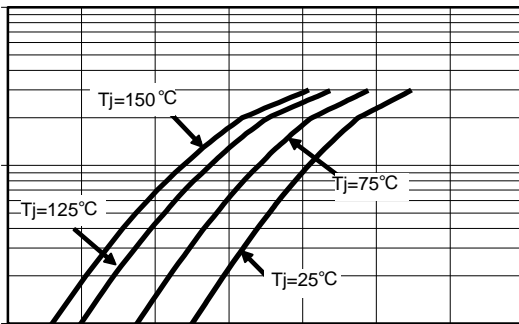


7 F & DV H 7&H PS

Current Derating, Case

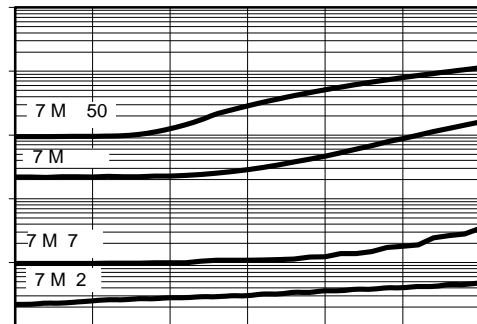


Maximum Repetitive Surge Current



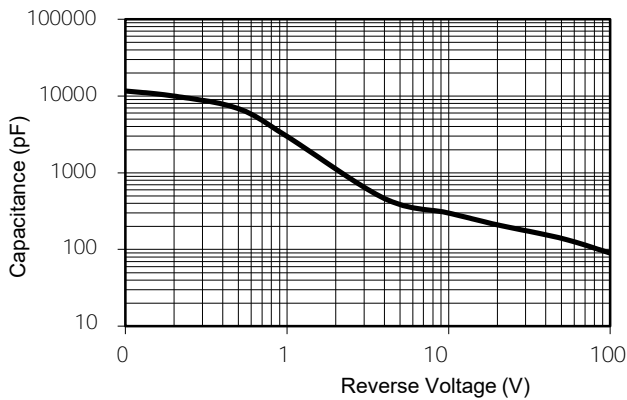
9 I , Q V W D Q W D Q H S R O W ) D R J H Z D R U G

Typical Forward Voltage



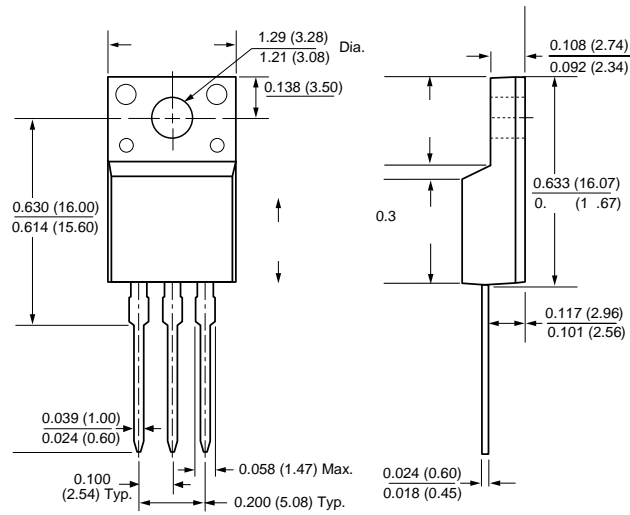
9 5 5 H Y H U V H 9 R O W D J H 9 R O W V

Typical Reverse Current

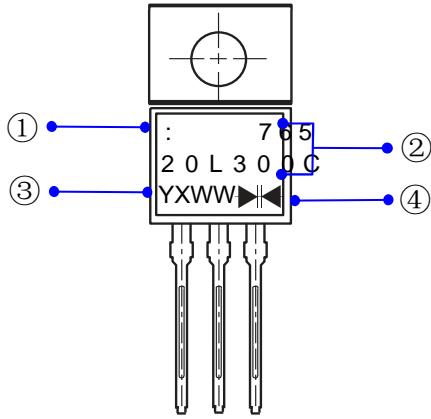


Typical Junction Capacitance

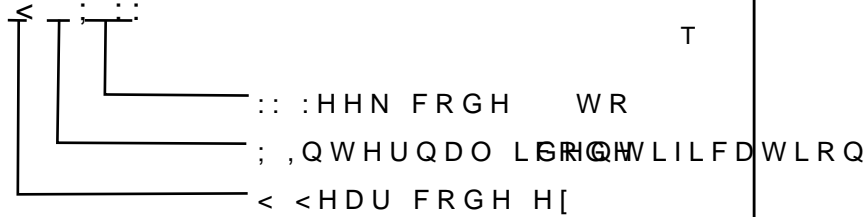
# PACKAGE OUTLINE DIMENSIONS



### Marking Information



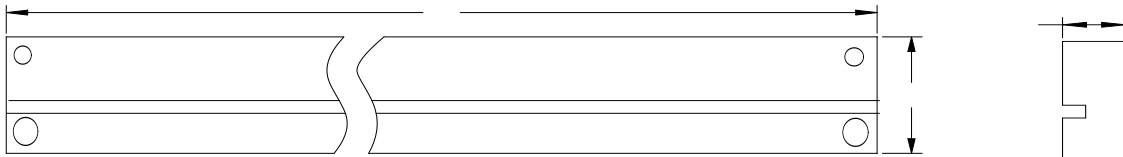
- ① W : Company's trademark
- ② 3 U R G X F W T B R 2 G H L G 0 0 C T
- ③ 3 ' & L Q I R U P D W L R Q



④ < < Double wafer

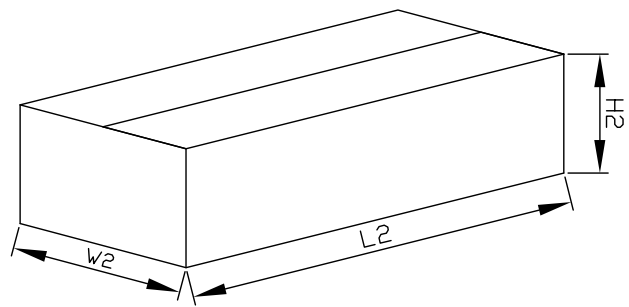
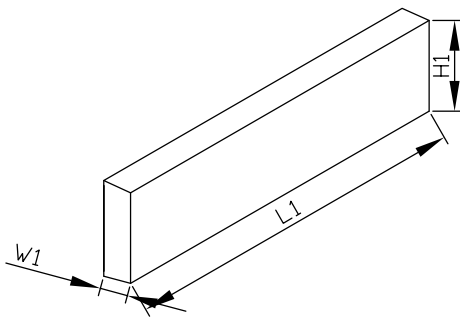
### Packaging Information

7 X E H ' L P H Q V L R Q V



, Q V L G H % R [

2 X W V L G H % R [



### Packaging Information

12	81,	7 X E H ' L P H Q V L R			, Q V L G H [			2 X W V L G H % R [		
6 L ] H	PP	\$	%	&	/	:	+	/	:	+
47 <	3 & 6	5	7	33	570	46	150	59	26	18
1 R W H	7 R O H U D Q F P P " P P			P P " P P			P P " P P			